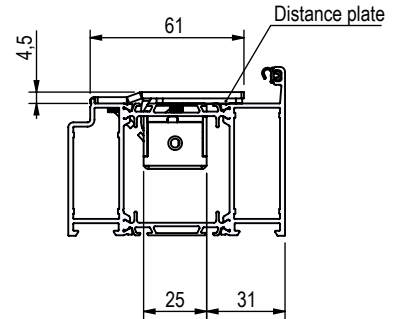
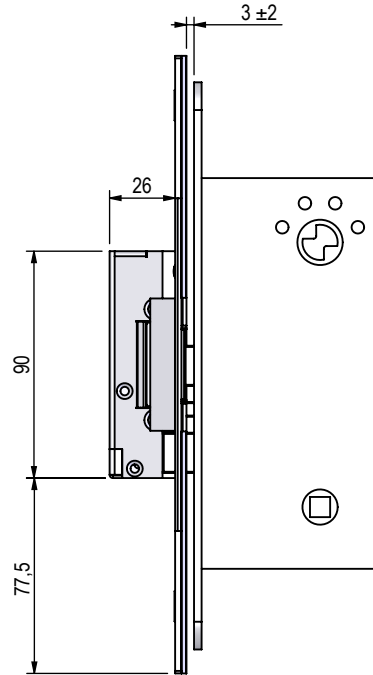
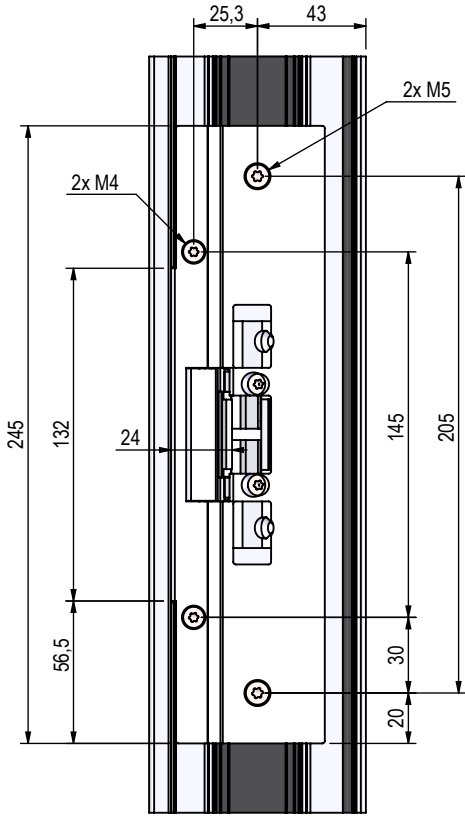


STEP 40 Preload  
STEP 90 Preload

STEP 90 Release  
STEP 48 Preload

STEP 98 Preload



Classic bolt placement

Modern bolt placement

