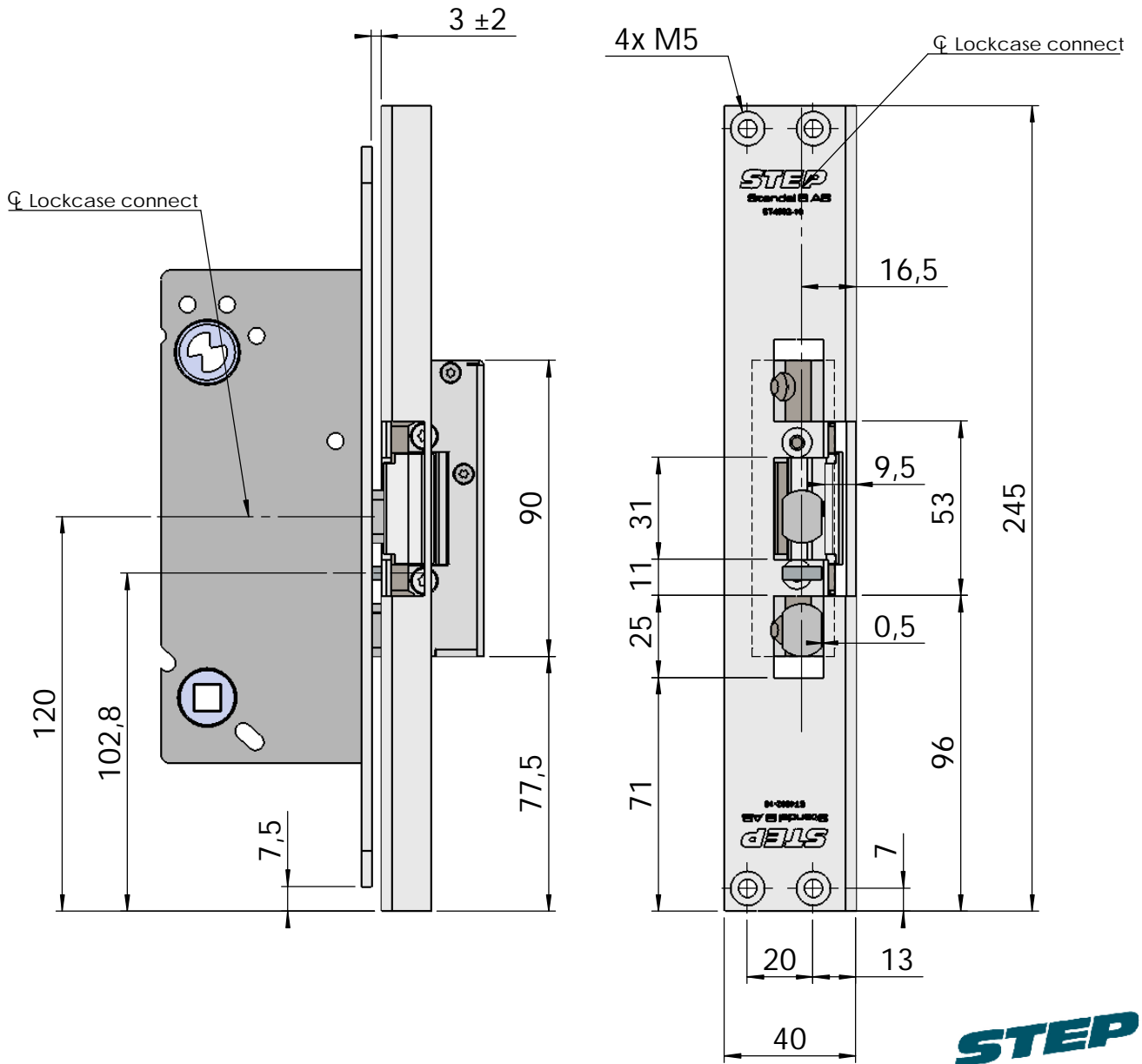
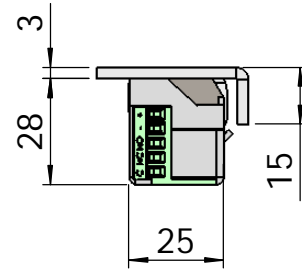




# Montering för Connect

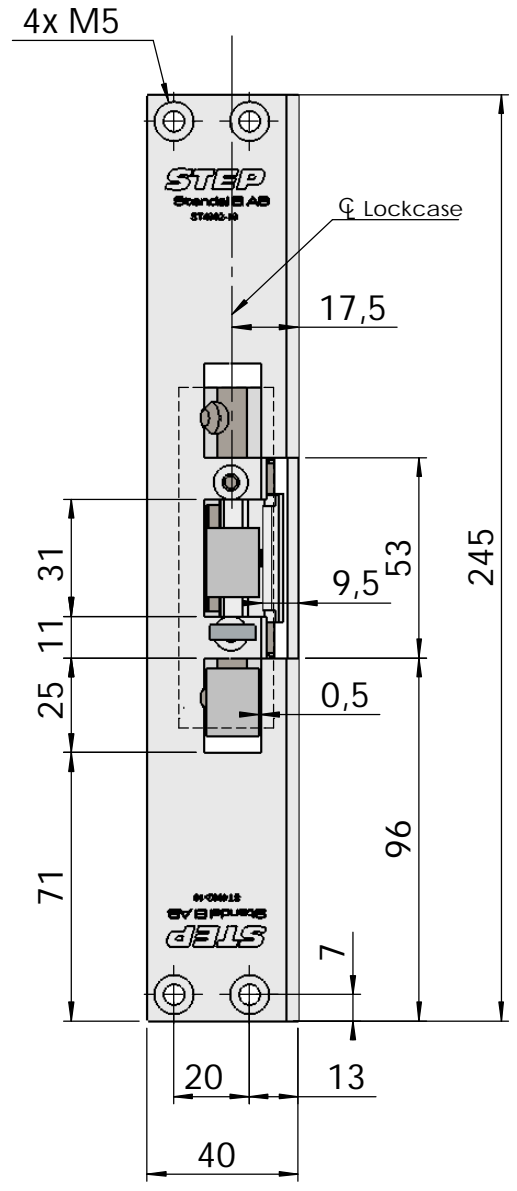
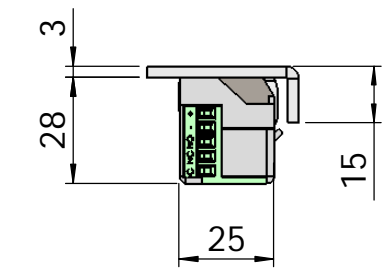
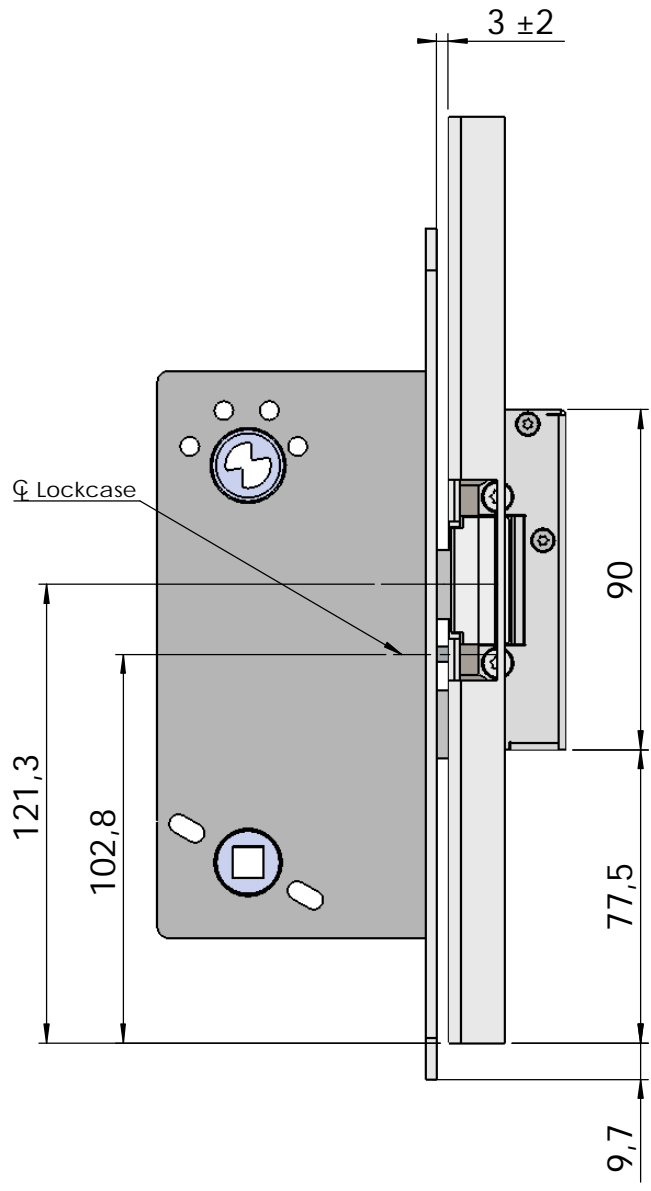


This document shall not be copied without owners written allowance and its content shall not be exposed for third part nor be used for unauthorized purpose.

Owner <b>Stendals EI AB</b>	Title/Description STEP 40 med vinklad stolpe plös 10mm Montering för Connect
	Drawing no. <b>ST4002-10</b> Scale <b>1:2</b>



# Montering för Modul



This document shall not be copied without owners written allowance and its content shall not be exposed for third part nor be used for unauthorized purpose.

Owner  
**Stendals EI AB**

Title/Description  
STEP 40 med vinklad stolpe plös 10mm  
Montering för Modul

Drawing no. ST4002-10

Scale  
1:2

